



Batescrew custom built Australian axial flow pumps

For high volume low lift applications.



**Built tough for tough conditions
the world over.**

Company Objectives

Batescrew Pumps and Valves Australia is a highly respected designer and manufacturer of custom built axial flow pumping systems for a diverse range of applications.

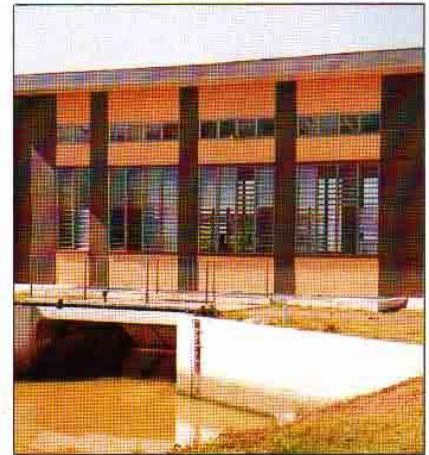
The Company's primary corporate objective is to maintain leadership in the design and manufacture of pumping systems characterised by maximum field performance with minimum maintenance and energy requirements.

From single pump river bank installations to major turnkey irrigation projects, Batescrew offers a world of experience in the profitable utilisation and management of water resources.

With an on-going commitment to research and development, Batescrew custom built axial flow pumping systems have been successfully in use throughout the world since 1952.



3 model 11/14 pumps operating at Alor Star, Malaysia.



The pump station at Medan, North Indonesia.

The Company is family owned and operated with almost four decades of hands-on experience in advising, planning, designing and manufacturing pumping systems.

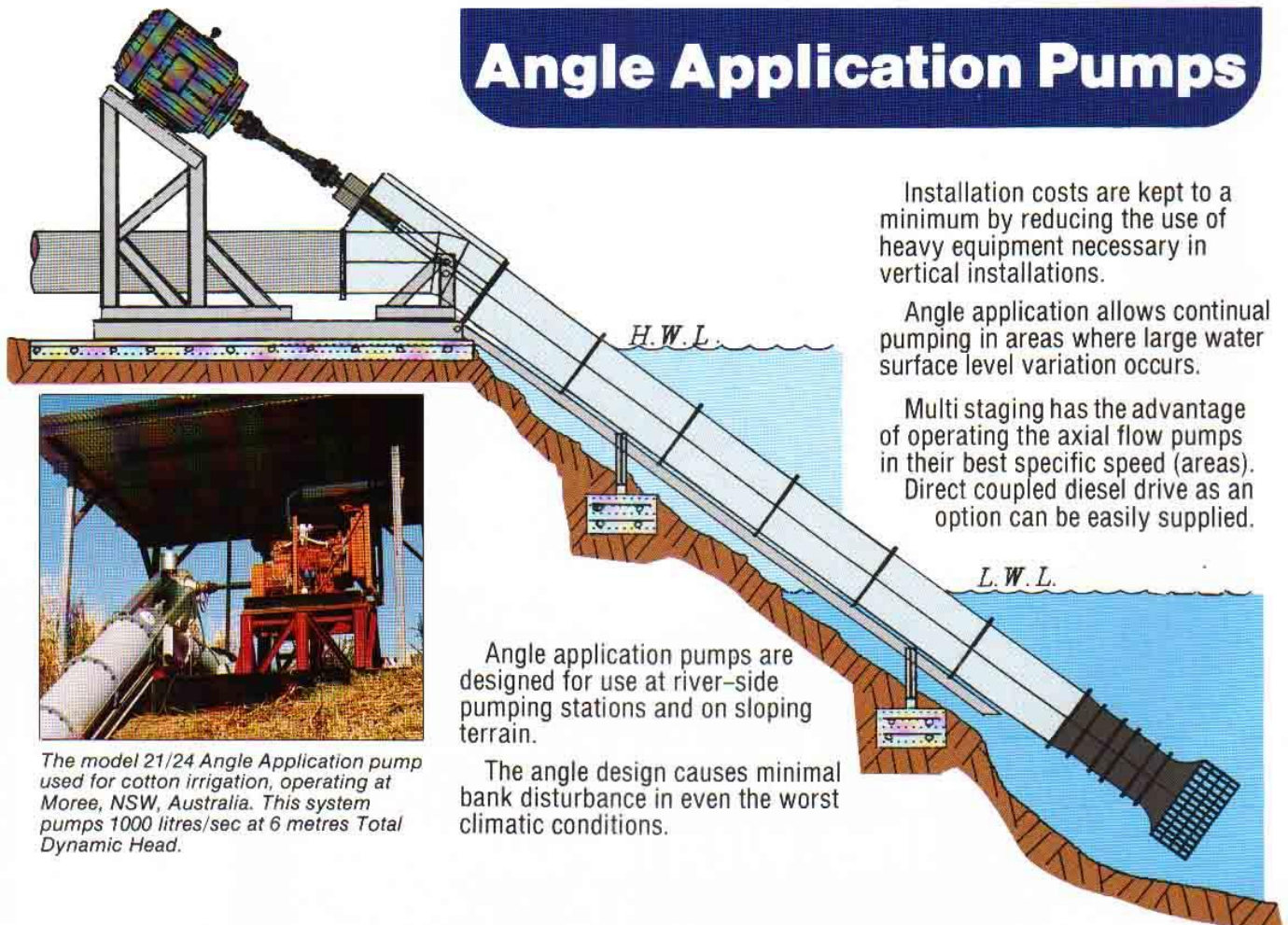
Batescrew's customer base includes government agencies and private operators from regions such as the Indian sub-continent, northern Africa, the ASEAN region and Australia - the world's driest continent.

Angle Application Pumps

Installation costs are kept to a minimum by reducing the use of heavy equipment necessary in vertical installations.

Angle application allows continual pumping in areas where large water surface level variation occurs.

Multi staging has the advantage of operating the axial flow pumps in their best specific speed (areas). Direct coupled diesel drive as an option can be easily supplied.



Angle application pumps are designed for use at river-side pumping stations and on sloping terrain.

The angle design causes minimal bank disturbance in even the worst climatic conditions.



The model 21/24 Angle Application pump used for cotton irrigation, operating at Moree, NSW, Australia. This system pumps 1000 litres/sec at 6 metres Total Dynamic Head.

Angle Application Pumps



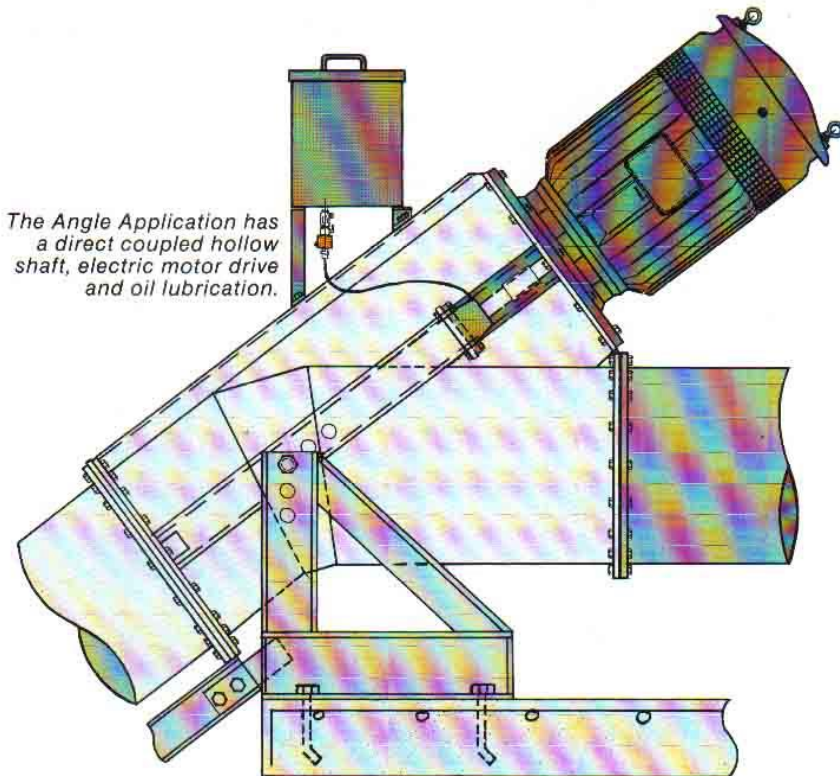
An exterior view of the river pump station on the Murrumbidgee River, NSW, Australia.



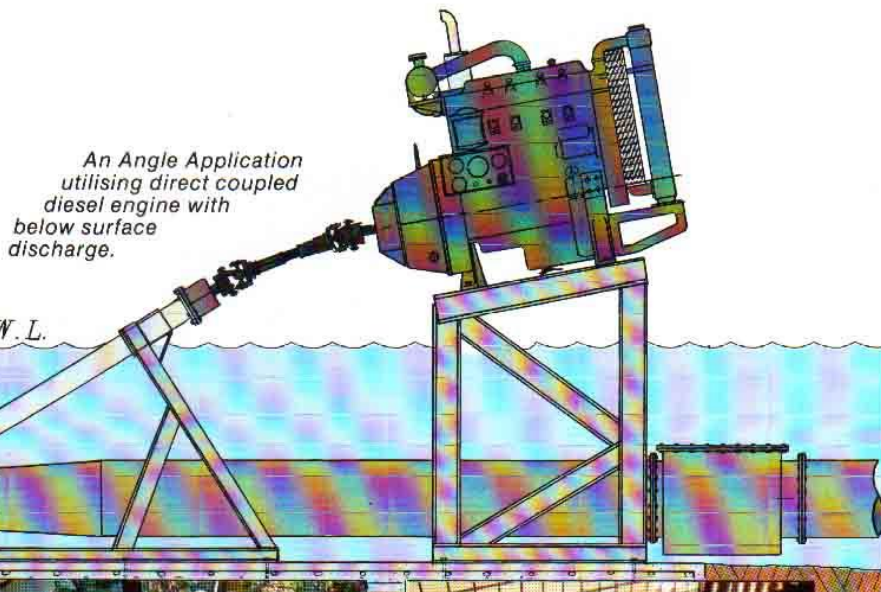
The model 21/24 Angle Application Pump with hollow shaft and electric motor drive, operating at Akuna farms, Darlington Point, NSW, Australia. Pumping 1200 litres/sec with 8 metres Total Dynamic Head.



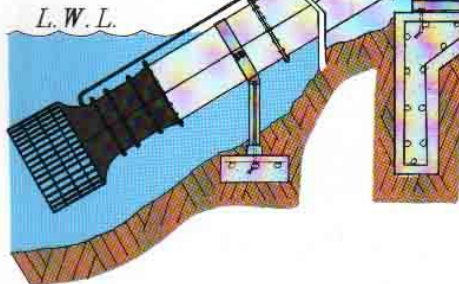
This 14/16 model, operating at Conargo NSW, Australia, has a direct coupled electric universal drive and pumps 450 litres/second with 7 metres Total Dynamic Head.



The Angle Application has a direct coupled hollow shaft, electric motor drive and oil lubrication.



An Angle Application utilising direct coupled diesel engine with below surface discharge.

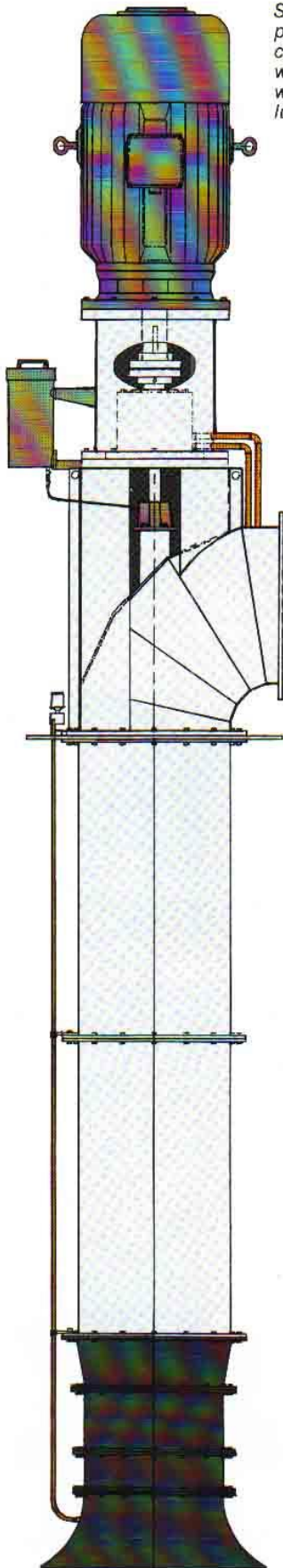


One of three model 21/24's pumping 1000 litres/sec with 16 metres Total Dynamic Head from the McIntyre River, Boggabilla, NSW, Australia. This river has a 12 metre water level variation.

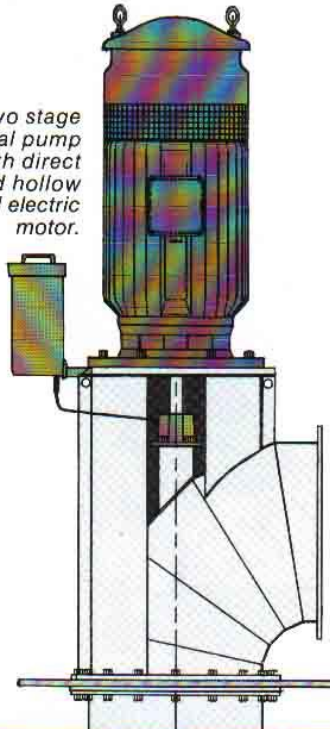


The direct coupled diesel engine of the model 14/16 pumps 450 litres/second with 7.5 metres of Total Dynamic Head. The unit pictured is used for rice irrigation at Conargo, NSW, Australia.

Vertical Application Pumps



Single stage vertical pump with direct coupled solid shaft which is lubricated with oil and oil lubricator.



A two stage vertical pump with direct coupled hollow shaft and electric motor.

Vertical application pumps are suitable for most water pumping applications.

Simple, conventional design makes the vertical pump versatile and durable.

The Batescrew pump offers a full range of interchangeable stock sizes — 100mm to 760mm with larger sizes available on request — and various drive methods.

Oil lubrication is optional.

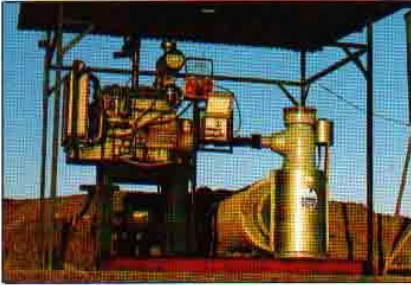


The model 21/24 cotton re-lift pump at Moree, NSW, Australia, has a diesel angle gear drive with below surface discharge, this system pumps 800 litres/second with 5 metres Total Dynamic Head.

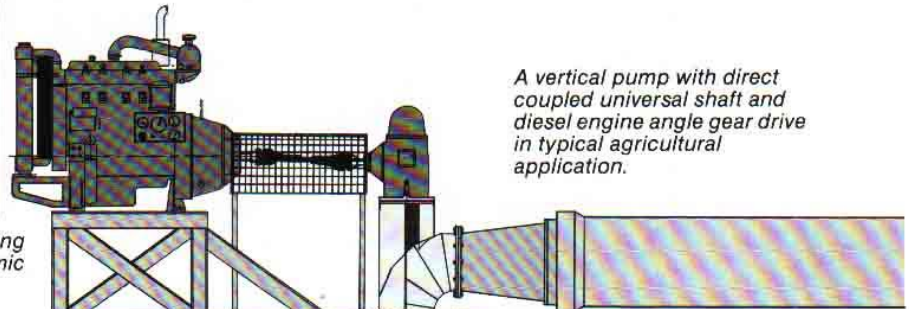


Four model 14/16's and one model 11/14 with a total output of 1760 litres/second, and 5 metres Total Dynamic Head as part of an automatic drainage control system for local government.

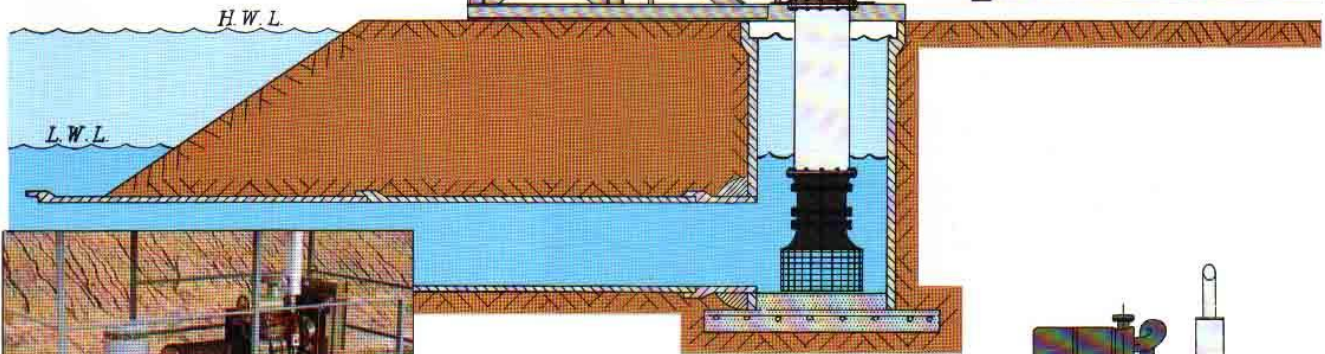
Vertical Application Pumps



A model 17/21 cotton re-lift pump extracting 600 litres/second with 4 metres Total Dynamic Head at Goondiwindi, Qld, Australia.



A vertical pump with direct coupled universal shaft and diesel engine angle gear drive in typical agricultural application.



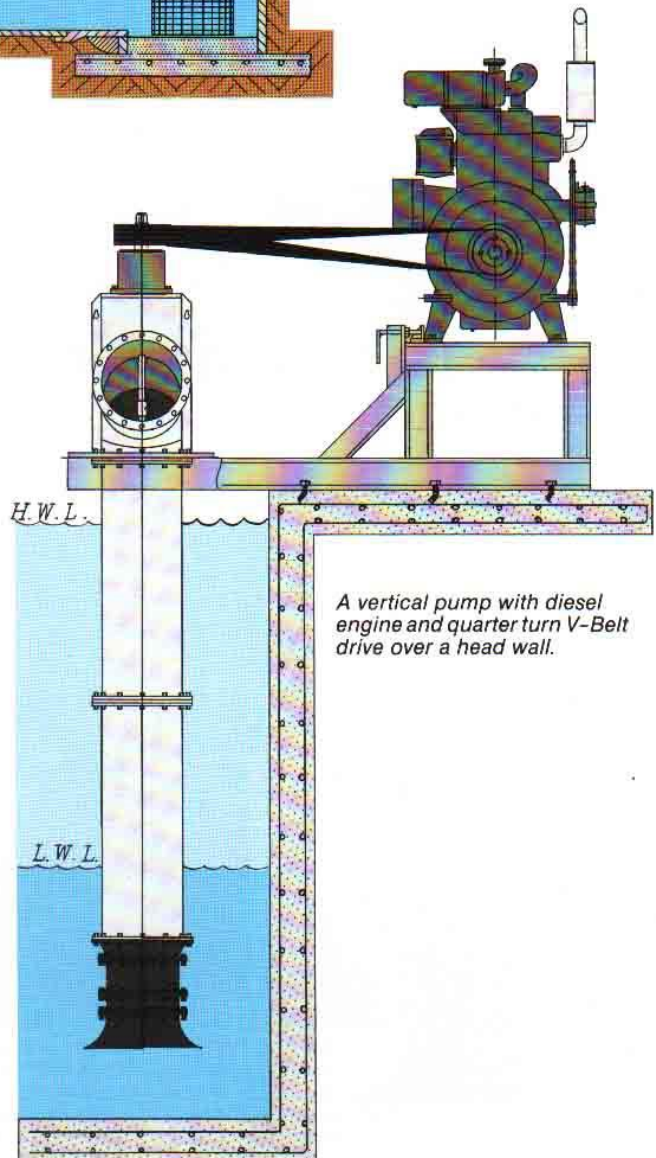
The model 21/24 recirculation system pumping 900 litres/second with 6 metres Total Dynamic Head with below ground discharge at Moree, NSW Australia.



Three model 11/14s commissioned for the Department of Irrigation and Drainage, Perak, Malaysia.

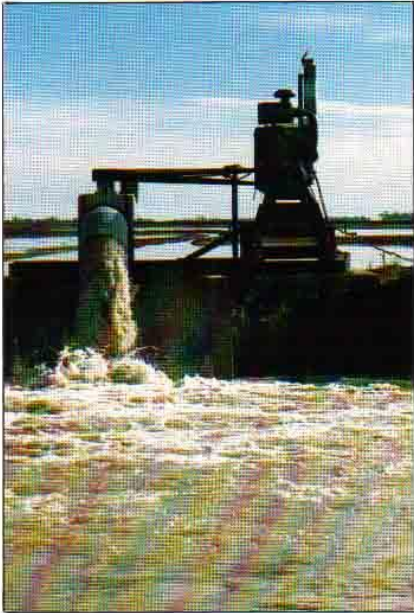


Model 9/9 floating pumps operating as emergency stand-by pumps for the Malaysian Agricultural Development Authority.



A vertical pump with diesel engine and quarter turn V-Belt drive over a head wall.

Vertical Application Pumps



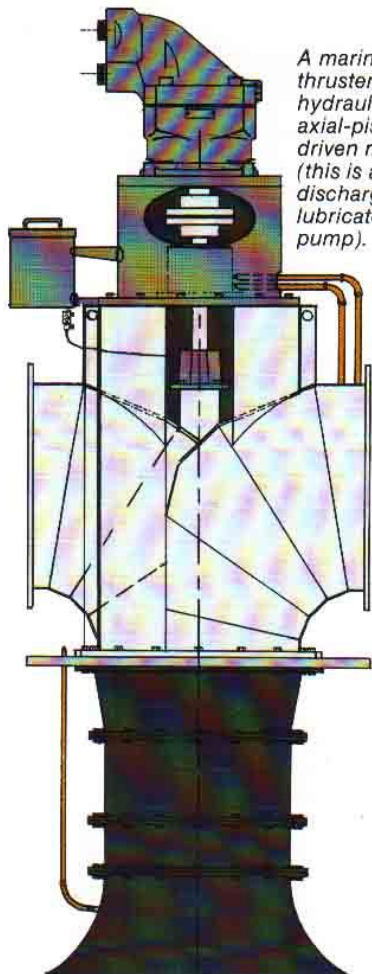
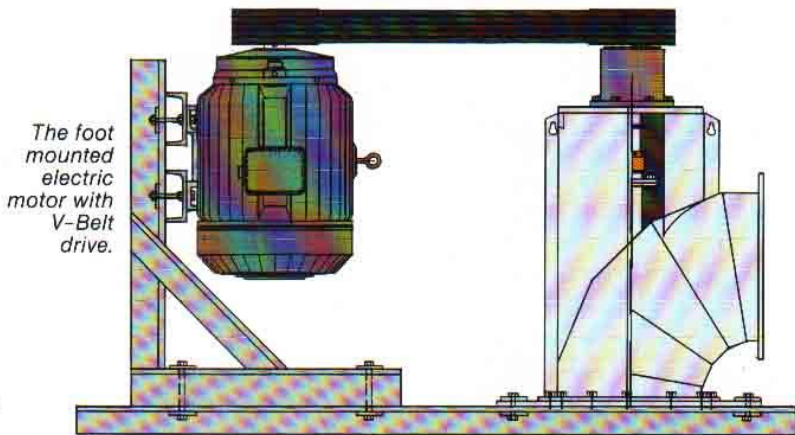
A model 17/21 diesel engine to 1/4 turn V-Belt driven pump at Akuna Farms, Darlington Point, NSW Australia. 600 litres/second at 4 metres Total Dynamic Head.



A portable, tractor driven model 11/11 used in this application as a drainage pump to extract 225 litres/second with 4 metres Total Dynamic Head.



This model 11/14 irrigation system pumps 225 litres/second with 5 metres Total Dynamic Head and is used to supply rice fields.



A marine bow thruster with hydraulic axial-piston driven motor. (this is a twin discharge oil lubricated pump).

Versatile Pumps

The versatility of the Batescrew operation enables the adaption of pumps to most customer requirements.

Having had years of experience Batescrew has the design flexibility to cover the need for the design of a particular pump set.

Batescrew has already developed solutions to numerous pumping problems, for example dual power driven pump sets for stand-by continual water supply.

Batescrew has probably already developed a solution to your specific pumping problem.

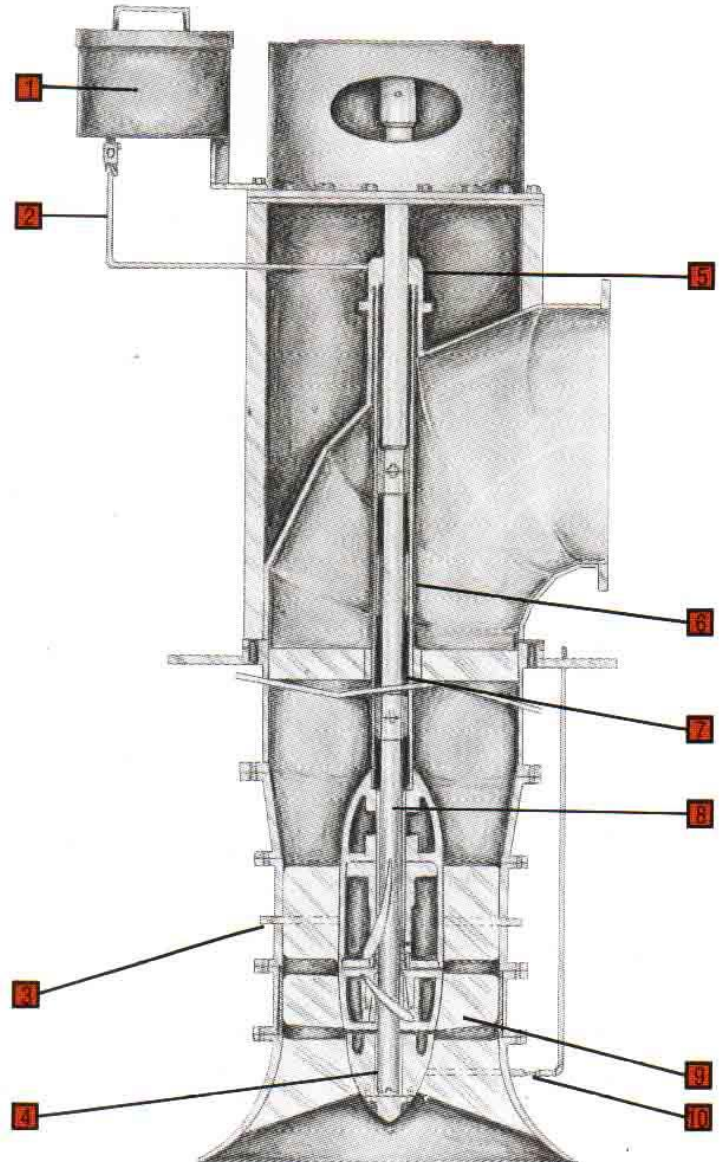
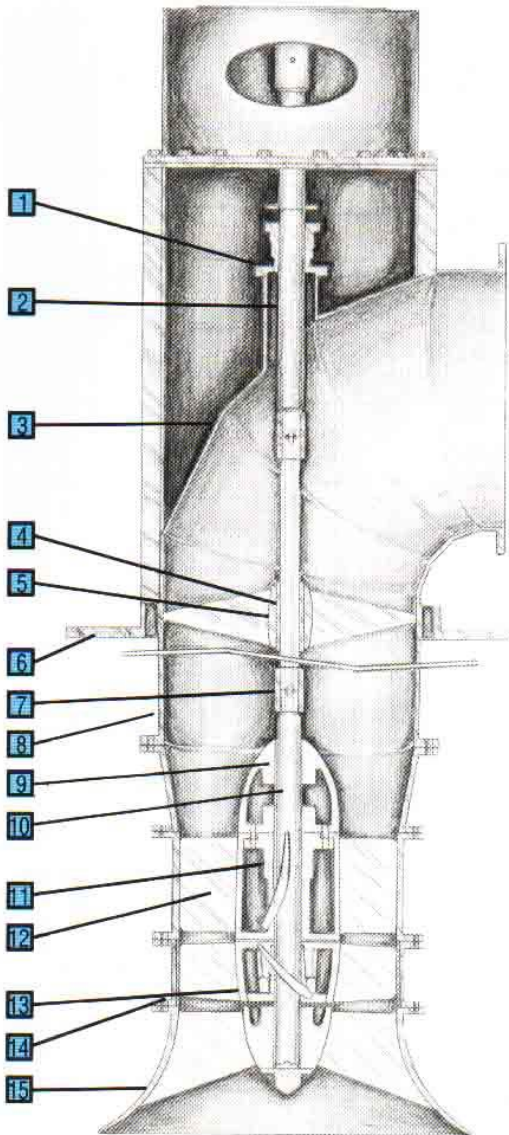


A portable petrol driven pump from the Portax series which extracts 30 litres/second, Colombo, Sri Lanka.



These pumps are model 17/21 systems. Diesel engine and hydraulic drive, lift and slew functions, pumping 500 litres/second with 2.5 metres Total Dynamic Head. Towed along the bank by tractors.

The Batescrew dual range lubrication system



Water lubrication is standard, however, oil lubrication is used where the product being pumped has a large percentage of grit or suspended solids.

A shaft enclosing tube protects the line shaft from grit abrasion.

Water Lubrication

Used largely to obtain clean, cold water.

- 1 Mechanical seal or gland available
- 2 AS1444/431 Grade Stainless Steel lineshaft, reversible for longer life.
- 3 Head. Lobster back fabricated. Cast iron available in smaller models.
- 4 Lineshaft bearings. Brass encased EPDM rubber, water lubricated, bearing spacing 1.2m. Other bearing materials optional.

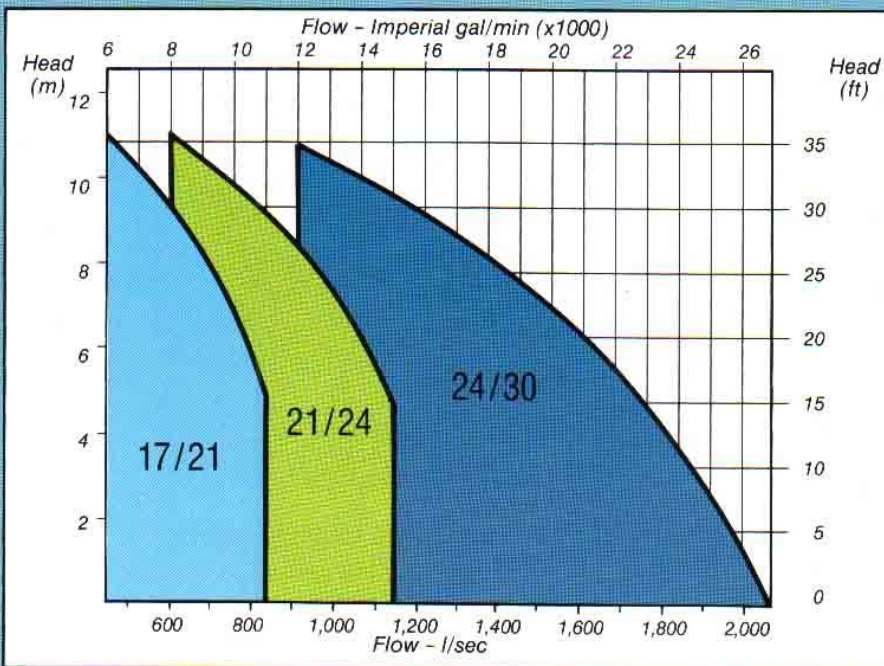
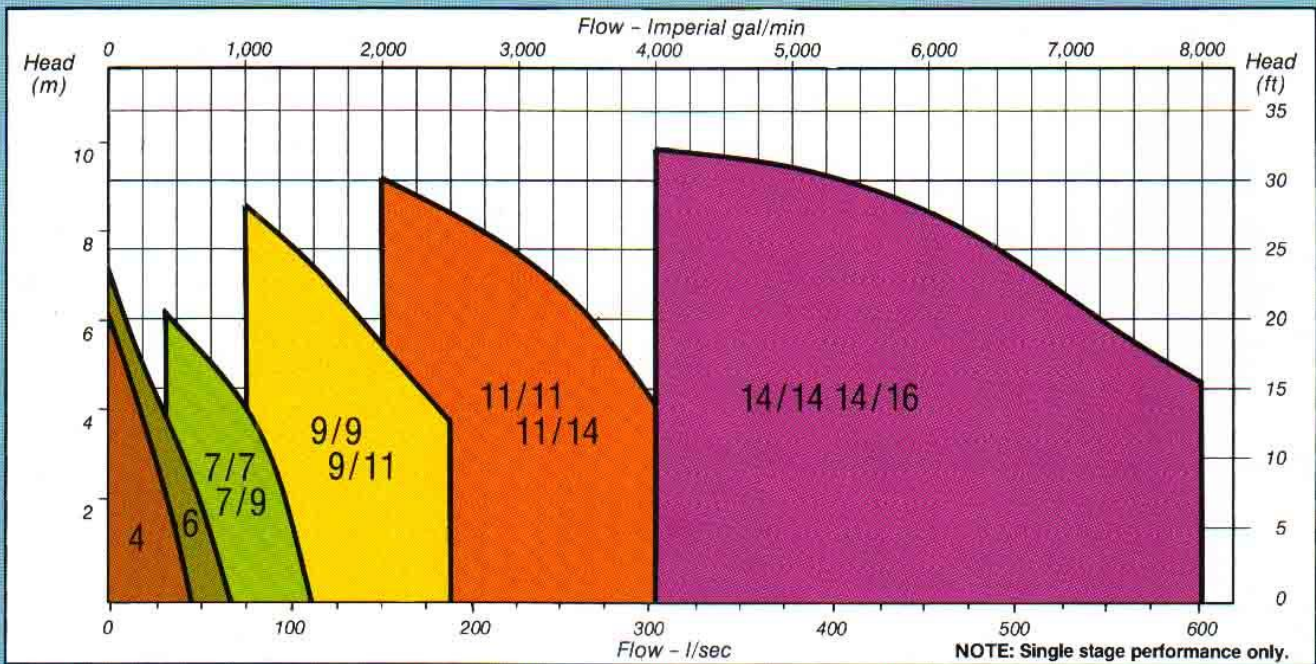
- 5 Centre bearing holder, cast iron, spacing 1.2m max.
- 6 Split mount plate to orientate the discharge in any direction. Swivel type also available.
- 7 Lineshaft couplings M.S. standard.
- 8 Column pipe, fabricated and machined to suit client's length. Hot dip galvanised standard. Other materials available.
- 9 Impeller bushes with adequate length to give full support to impeller shaft.
- 10 Impeller shaft, stainless steel. 431 grade.
- 11 Replaceable cartridge available in larger sizes for minimum down time.
- 12 Stator. High strength cast iron, with efficient hydraulic design.
- 13 Impeller. Manganese bronze standard or stainless steel available.
- 14 Cast iron running ring with replaceable stainless steel liner.
- 15 Bell mouth, gives hydraulically efficient entry into impeller.

Oil Lubrication

Suitable for pumping more aggressive fluids.

- 1 Oil tank.
- 2 Drip-feeder with optional solenoid valve available for electric automatic cycle.
- 3 Water pressure relief port.
- 4 Bronze bush. Grease lubricated.
- 5 Tension nut-bush. Cast iron nut which tensions the lubrication tube to ensure shaft alignment.
- 6 Lubrication tube joiner, cast iron or bronze, and lineshaft bush.
- 7 Lineshaft. High strength mild steel. Reversible for longer life. Stainless steel optional.
- 8 Impeller shaft stainless steel - 431 grade.
- 9 Impeller. Efficient, dynamically balanced manganese bronze. Other materials available.
- 10 Grease lubrication tube to bottom bearing.

Axial flow pumps selection chart



1 ML/day = 11.52l/s = 154g/m
 1 acrefoot/day = 14.2l/s = 187g/m
 1 US GPM = 0.063l/s = 0.831g/m
 1 cusec = 28.4l/s = 375g/m
 1 m³/hr = .227l/s = 3.65g/m

For a full, free no-obligation quotation contact Batescrew with the following details:

- Amount of water required
- Vertical lift height
- Length of discharge
- Type of power available
- Site plan.

Other products available:

- Lineshaft turbine pumps
- Submersible turbine pumps
- Sludge pumps
- Gate valves
- Conveyor and Compaction equipment
- Filters



Batescrew Pumps & Valves Australia

Newell Highway, Tocumwal, NSW 2714, Australia P.O. Box 86, Tocumwal
 Telephone: (03) 5874 2101; Fax (03) 5874 2084

Offices also at:

438 Frome Street, Moree, NSW 2400 Phone: (02) 67525131 Fax (02) 67525189
 18 Rees Jones Court, North Rockhampton, Qld 4701 Phone (07) 49262404 Fax (07) 49262957

Available from: